

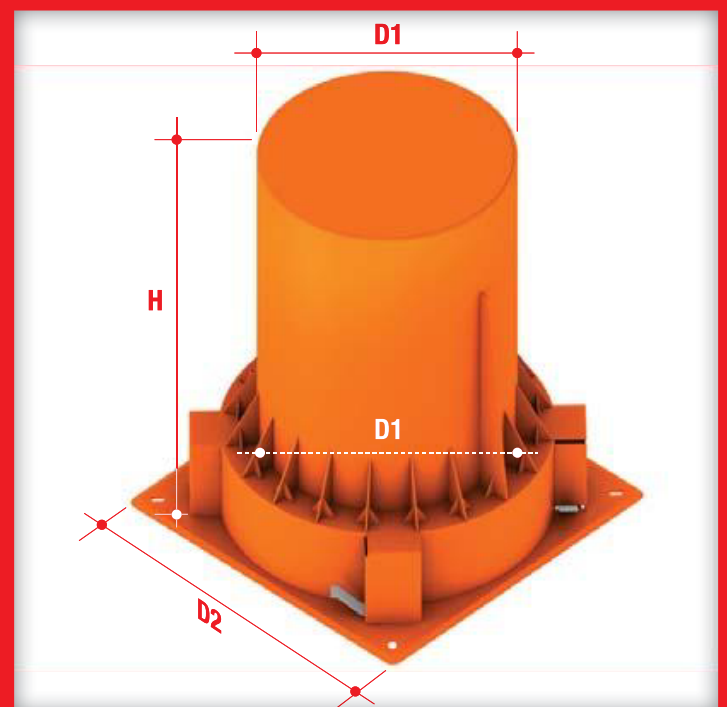
Up to -/180/120 fire resistance in accordance with the requirements of AS 1530: Part 4: 2005 and AS 4072: Part 1: 2005; insulation criteria will vary depending type and size of building services AND the type of penetrating elements

- ❶ PROMASEAL® Services Seal Collar
- ❷ PROMASEAL® Mortar
- ❸ Various building services, e.g. electrical cables
- ❹ Fire resistance concrete/masonry floors

Dimensions

Code no.		PSS 100	
Maximum diameter of services		mm	120*
Body	H	mm	250
	D1	mm	140
Flange	D2	mm	198

* Allowance of 10mm for backfill around services



PROMASEAL® Services Seal Collars are designed for attaching to formwork prior to pouring of the floor concrete. The collars have been tested with various building services (including electrical cables, lagged plastic pipes and/or combination of these within a single unit) through concrete/masonry floors in accordance with the criteria of AS 1530: Part 4: 2005 and AS 4072: Part 1: 2005 for:

- Up to -/120/120 fire resistance within a minimum 120mm thick floor (with an equal or greater fire resistance level), and
- Up to -/180/120 fire resistance within a minimum 150mm thick floor (with an equal or greater fire resistance level)

Please check with local authorities to ensure that the particular services etc are included in the scope of approvals for the application of PROMASEAL® Services Seal Collars.

Installation

Cast-in installation to concrete/masonry floors

Accurately position the PROMASEAL® Services Seal Collar on

formwork and secure it firmly with nails through all four holes of the collar flange, before pouring floor concrete.

Before installing the services, trim off any ends of the collar that extends above the floor and replace the cap at the floor level to prevent debris from entering the collar.

After installing the services, backfill the collar with PROMASEAL® Mortar up to a level with the floor. Ensure the mortar mix does not reach below the level of the intumescent inside the collar to avoid interfering with its closing/sealing function. This can be easily achieved by slightly lifting the services after they are installed to ensure the intumescent projects upwards.

If the services are tightly packed and not practical for backfill with mortar, use PROMASEAL®-A Acrylic Sealant or trowel grade PROMASEAL® Grafitex instead and inject it to the maximum depth with and around the services as well as above the intumescent.

PROMASEAL® Services Seal Collar leaves a neat appearance after removal of formwork and prevents the steel reinforcement from any exposure caused by coring.