

PROMASEAL® Wall Collar Plastic Pipe & Other Services Penetration Seals



www.promat-ap.com



PROMASEAL® Wall Collar is designed for insertion into wall elements made of calcium silicate, plasterboard, concrete or masonry. The collar has been tested up to 120 minute fire resistance with HDPE, PPR or uPVC pipes and general building services up to 162mm outside diameter through these wall elements (with an equal or greater fire resistance level) in accordance with the criteria of BS 476: Part 20: 1987, AS 1530: Part 4: 2005 and AS 4072: Part 1: 2005.

Similar to PROMASEAL® Retrofit Collar, this is a split type collar for retrofit where necessary.

Plastic pipe penetration seals

Retrofit installation to lightweight partitions (or plasterboard walls)

Locate the collar in a central position on the partition/wall. All annular gaps between the collar and the partition/wall must be no greater than 20mm and filled with PROMASEAL®-A Acrylic Sealant to a minimum depth of 32mm. If the gap is greater than 20mm, reduce it with the same materials used to build the wall/partition or backfill with PROMASEAL® Mortar.

If there is a possibility of pipe movement that might cause cracks in the mortar sealing between the plastic pipe and the floor, it is advisable to seal the pipe with PROMASEAL®-A Acrylic Sealant to prevent cold smoke ingress. However, this is not necessary for the required fire resistance performance.

Do not obstruct the perforated mesh at the ends of the collar when sealing any gaps.

Maximum thickness of the partition/wall is 128mm. For greater thickness, two collars are recommended to ensure outer face of the collar is embedded no more than 14mm measured from the partition/wall surface. It is permissible for the collar body to extend beyond surface of the wall.

Minimum thicknesses of the partition/wall using single collar on plastic pipes up to 110mm and 162mm outside diameter are 48mm and 57mm respectively.

If the partition/wall is thinner than 128mm, PROMASEAL®-A Acrylic Sealant may need to be applied to the section of collar that extends from the partition/wall in order to maintain 120 minutes insulation.

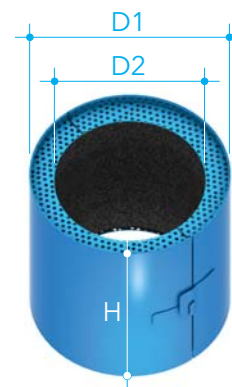
PROMASEAL® Wall Collar can be positioned at an angle providing the exposure is the similar to the original test. Please consult Promat for details of the application requirements.

Other services penetration seals

Retrofit installation to plasterboard walls

Position PROMASEAL® Wall Collar around the services within the wall in the same manner as for plastic pipes. Then fill any gaps inside the collar caused by the orientation of the service with PROMASEAL® Graftex. Size of services should not exceed the inside diameter of the 100mm collar.

Dimension

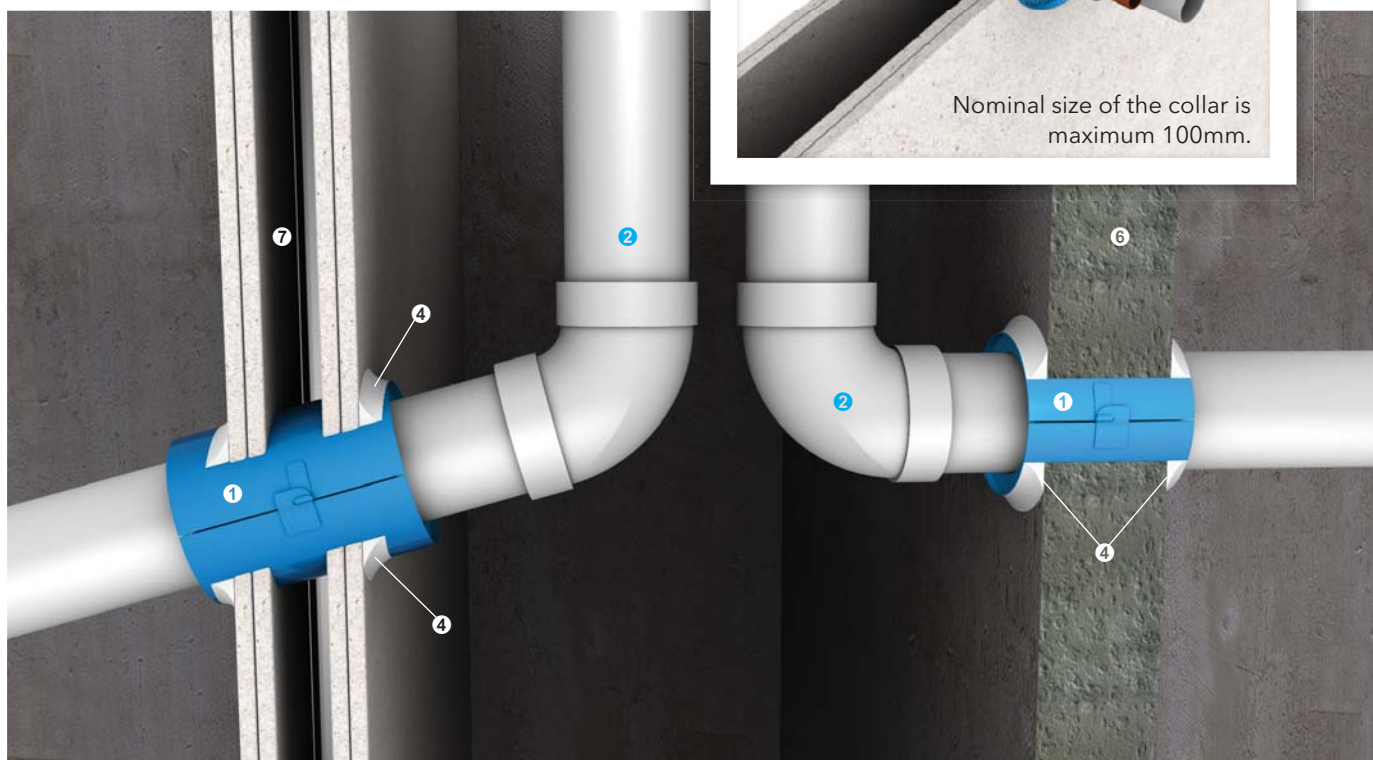


Code no.		FCW 40	FCW 50	FCW 65	FCW 100	FCW 150
Pipe nominal diameter	mm	40	50	65	100	150
Body	H mm	120	120	120	120	120
	D1 mm	80*	90*	107*	153*	203*
	D2 mm	47	60	75	116	164

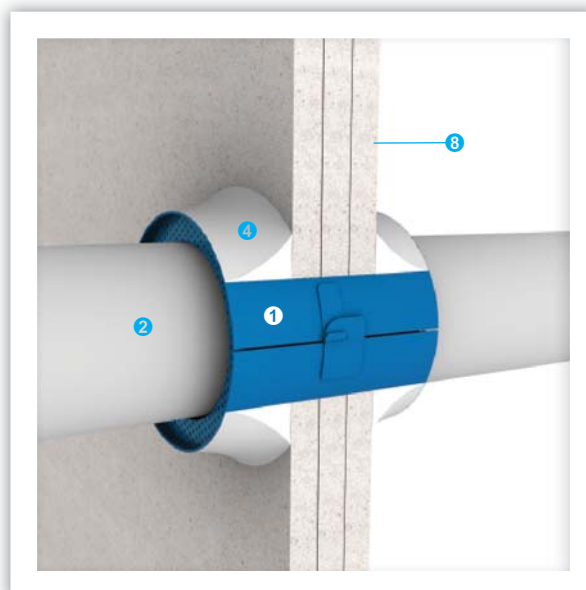
* Additional allowance of 3mm for clip.

Up to -/120/120 fire resistance in accordance with the requirements of BS 476: Part 20: 1987, AS 1530: Part 4: 2005 and AS 4072: Part 1: 2005; insulation criteria will vary depending on type and size of plastic pipes or building services AND the type of penetrating elements, OR

- ❶ PROMASEAL® Wall Collar
- ❷ Various plastic piping, e.g. HDPE, uPVC
- ❸ Various building services, e.g. electrical cables, plastic (uPVC or PEX) pipes and/or insulated copper pipes



- ❹ All gaps caulked with PROMASEAL®-A Acrylic Sealant to achieve the required fire resistance performance
- ❺ All gaps between collars and services filled with PROMASEAL® GrafiteX
- ❻ Fire resistant concrete/masonry walls
- ❼ Fire resistant steel/timber framed lightweight partitions
- ❽ Hebel and three layers of 16mm thick plasterboard wall



Promat provides a wide range of systems for compartmentation, fire resistant air and cable ducts, structural steel protection, fire stopping and partitions. For assistance with any passive fire protection problems, contact the nearest Promat office.

Asia Pacific Operational Headquarters

Promat International (Asia Pacific) Ltd

Unit 19-02-01, Level 2, Wisma Tune
19 Lorong Dungun, Damansara Heights
50490 Kuala Lumpur, Malaysia
T +60 (3) 2095 5111
F +60 (3) 2095 6111
E info@promat-ap.com

Australia

Promat Australia Pty Ltd

1 Scotland Road
Mile End South, SA 5031
T 1800 PROMAT (776 628)
F +61 (8) 8352 1014
E mail@promat.com.au

New South Wales Office

Promat Australia Pty Ltd

Unit 1, 175 Briens Road
Northmead, NSW 2152
T 1800 PROMAT (776 628)
F +61 (2) 9630 0258
E mail@promat.com.au

Victoria Office

Promat Australia Pty Ltd

Suite 205, 198 Harbour Esplanade
Docklands, VIC 3008
T 1800 PROMAT (776 628)
F 1800 334 598
E mail@promat.com.au

Queensland Office

Promat Australia Pty Ltd

1/68 Lisgar Street
Virginia, QLD 4014
T 1800 011 376
F 1800 334 598
E mail@promat.com.au

China

Promat China Ltd

Room 506, Block A, Qi Lin Plaza
13-35 Pan Fu Road
510180 Guangzhou
T +86 (20) 8136 1167
F +86 (20) 8136 1372
E info@promat.com.cn

Beijing Office

Promat North China

(Division of Promat China Ltd.)

Room 1507 Building 5
SOHO Xiandaicheng
88 Jianguo Road, Chaoyang District
100022 Beijing
T +86 (10) 8589 1254
F +86 (10) 8589 2904
E info@promat.com.cn

Hong Kong

Promat International (Asia Pacific) Ltd

Room 1010, C.C. Wu Building
302-308 Hennessy Road, Wanchai
T +852 2836 3692
F +852 2834 4313
E apromath@promat.com.hk

India

Promat (Malaysia) Sdn Bhd

(India Representative Office)

610-611, Ansal Imperial Tower
C-Block, Community Centre
Naraina Vihar, Naraina
New Delhi 110028
T +91 (11) 2577 8413
F +91 (11) 2577 8414
E info-india@promat-asia.com

Bangalore Office

Promat (Malaysia) Sdn Bhd

(India Representative Office)

Cabin No. BC-10
Oculus Workspaces, 66/1, 2nd Floor
Coles Road, Frazer Town
Bangalore 560005
T +91 (80) 4031 4151
F +91 (80) 4125 2135
E info-india@promat-asia.com

Malaysia

Promat (Malaysia) Sdn Bhd

Unit 19-02-01, Level 2, Wisma Tune
19 Lorong Dungun, Damansara Heights
50490 Kuala Lumpur
T +60 (3) 2095 8555
F +60 (3) 2095 2111
E info@promat.com.my

Singapore

Promat Building System Pte Ltd

10 Science Park Road
#03-14 The Alpha
Singapore Science Park II
Singapore 117684
T +65 6776 7635
F +65 6776 7624
E info@promat.com.sg

South Korea

Promat International (Asia Pacific) Ltd

(Korea Branch Office)

Room 406, 811-2
Yeoksam-dong Gangnam-gu
Seoul 135080
T +82 (70) 7794 8216
E apromath@promat.com.hk

- The technical data provided in this publication is based on mean values prevalent at time of publication and is thus subject to fluctuation. It should not be regarded as a guarantee to system performance.
- All data contained herein conforms to and frequently surpasses generally accepted fire protection standards recognised by most professional fire science practitioners and regulatory authorities worldwide. The same general principle is equally applicable to all Promat products and systems. Promat has access to a considerable body of test authentication data and this can be provided on a complimentary basis upon request. It should be noted however that this publication replaces all previous editions in its entirety. Any form of reproduction by any means – manual, electronic, digital or otherwise – is strictly prohibited and subject to prior approval in writing from Promat. All rights related or connected to the Promat logo, Promat registered trademarks, featured illustrations, written information and technical reports in this publication are the sole, exclusive and copyright property of Promat and its legal partner companies.

Official website

www.promat-ap.com

Your local Promat supplier

(Place sticker here)