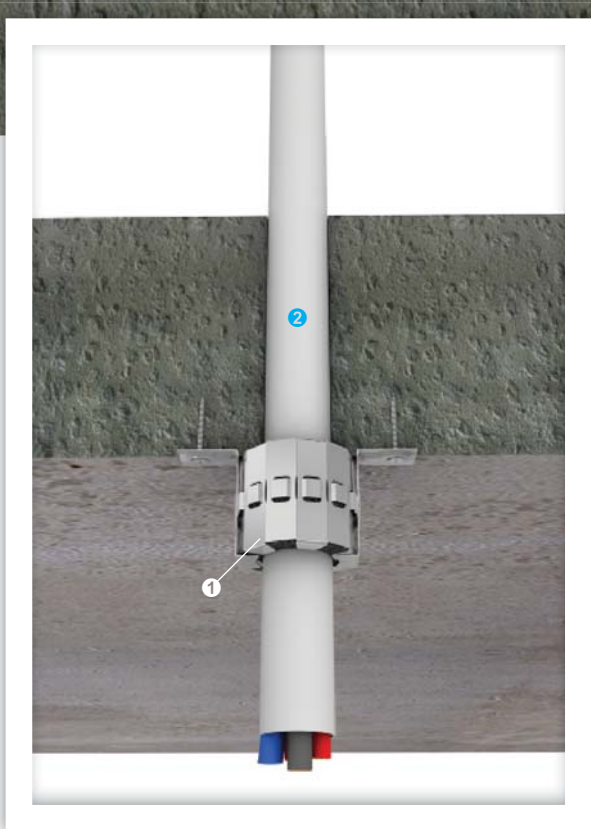
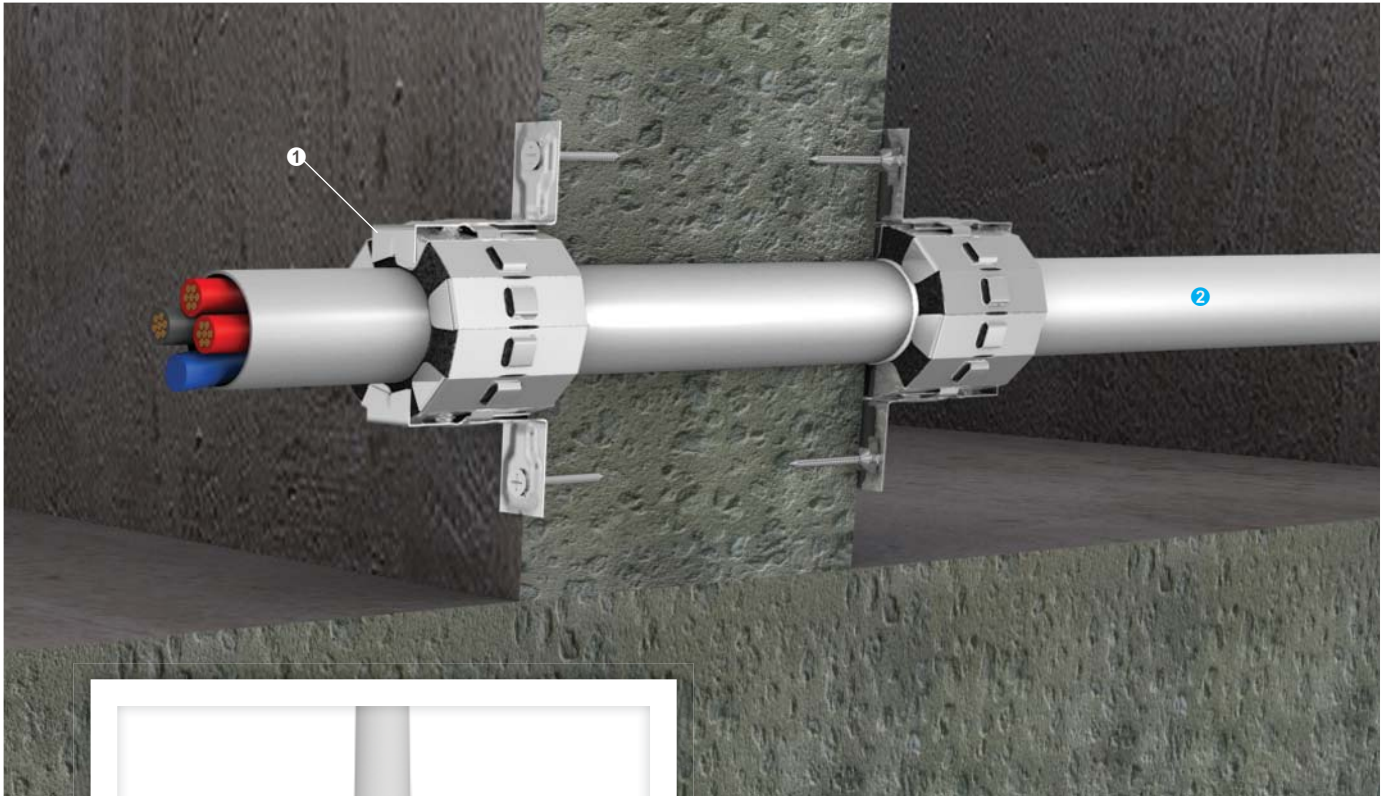


PROMASEAL® Conduit Collar Plastic Pipe Penetration Seals





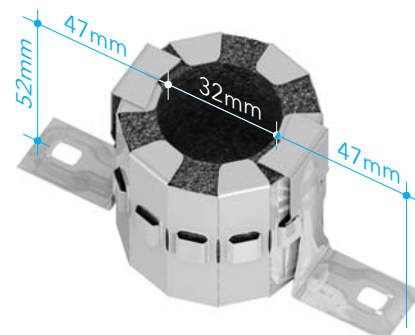
For plastic conduits 32mm diameter and less, the PROMASEAL® CFC Conduit Collar has been tested in walls and floors and achieved up to 240 minutes fire resistance in accordance with the criteria of BS 476: Part 20: 1987 and AS 1530: Part 4: 2005.

The collars are attached to the wall with two brackets and fixings. Due to the very small diameter, the one size collar will suffice for pipe diameters up to and including 32mm.

PROMASEAL® CFC Conduit Collars, prefabricated by Promat, are purchased individually.

Insulation criteria results will vary depending upon the type of plastic and building element through which it passes. Please consult Promat for details.

Dimension



Up to -/240/240 fire resistance in accordance with the requirements of BS 476: Part 20: 1987 and AS 1530: Part 4: 2005; insulation criteria will vary depending on type and size of plastic pipes AND the type of penetrating elements

- ❶ PROMASEAL® Conduit Collar
- ❷ Various plastic piping

Promat provides a wide range of systems for compartmentation, fire resistant air and cable ducts, structural steel protection, fire stopping and partitions. For assistance with any passive fire protection problems, contact the nearest Promat office.

Asia Pacific Operational Headquarters

Promat International (Asia Pacific) Ltd

Unit 19-02-01, Level 2, Wisma Tune
19 Lorong Dungun, Damansara Heights
50490 Kuala Lumpur, Malaysia
T +60 (3) 2095 5111
F +60 (3) 2095 6111
E info@promat-ap.com

Australia

Promat Australia Pty Ltd

1 Scotland Road
Mile End South, SA 5031
T 1800 PROMAT (776 628)
F +61 (8) 8352 1014
E mail@promat.com.au

New South Wales Office

Promat Australia Pty Ltd

Unit 1, 175 Briens Road
Northmead, NSW 2152
T 1800 PROMAT (776 628)
F +61 (2) 9630 0258
E mail@promat.com.au

Victoria Office

Promat Australia Pty Ltd

Suite 205, 198 Harbour Esplanade
Docklands, VIC 3008
T 1800 PROMAT (776 628)
F 1800 334 598
E mail@promat.com.au

Queensland Office

Promat Australia Pty Ltd

1/68 Lisgar Street
Virginia, QLD 4014
T 1800 011 376
F 1800 334 598
E mail@promat.com.au

China

Promat China Ltd

Room 506, Block A, Qi Lin Plaza
13-35 Pan Fu Road
510180 Guangzhou
T +86 (20) 8136 1167
F +86 (20) 8136 1372
E info@promat.com.cn

Beijing Office

Promat North China

(Division of Promat China Ltd.)

Room 1507 Building 5
SOHO Xiandaicheng
88 Jianguo Road, Chaoyang District
100022 Beijing
T +86 (10) 8589 1254
F +86 (10) 8589 2904
E info@promat.com.cn

Hong Kong

Promat International (Asia Pacific) Ltd

Room 1010, C.C. Wu Building
302-308 Hennessy Road, Wanchai
T +852 2836 3692
F +852 2834 4313
E apromath@promat.com.hk

India

Promat (Malaysia) Sdn Bhd

(India Representative Office)

610-611, Ansal Imperial Tower
C-Block, Community Centre
Naraina Vihar, Naraina
New Delhi 110028
T +91 (11) 2577 8413
F +91 (11) 2577 8414
E info-india@promat-asia.com

Bangalore Office

Promat (Malaysia) Sdn Bhd

(India Representative Office)

Cabin No. BC-10
Oculus Workspaces, 66/1, 2nd Floor
Coles Road, Frazer Town
Bangalore 560005
T +91 (80) 4031 4151
F +91 (80) 4125 2135
E info-india@promat-asia.com

Malaysia

Promat (Malaysia) Sdn Bhd

Unit 19-02-01, Level 2, Wisma Tune
19 Lorong Dungun, Damansara Heights
50490 Kuala Lumpur
T +60 (3) 2095 8555
F +60 (3) 2095 2111
E info@promat.com.my

Singapore

Promat Building System Pte Ltd

10 Science Park Road
#03-14 The Alpha
Singapore Science Park II
Singapore 117684
T +65 6776 7635
F +65 6776 7624
E info@promat.com.sg

South Korea

Promat International (Asia Pacific) Ltd

(Korea Branch Office)

Room 406, 811-2
Yeoksam-dong Gangnam-gu
Seoul 135080
T +82 (70) 7794 8216
E apromath@promat.com.hk

- The technical data provided in this publication is based on mean values prevalent at time of publication and is thus subject to fluctuation. It should not be regarded as a guarantee to system performance.

- All data contained herein conforms to and frequently surpasses generally accepted fire protection standards recognised by most professional fire science practitioners and regulatory authorities worldwide. The same general principle is equally applicable to all Promat products and systems. Promat has access to a considerable body of test authentication data and this can be provided on a complimentary basis upon request. It should be noted however that this publication replaces all previous editions in its entirety. Any form of reproduction by any means – manual, electronic, digital or otherwise – is strictly prohibited and subject to prior approval in writing from Promat. All rights related or connected to the Promat logo, Promat registered trademarks, featured illustrations, written information and technical reports in this publication are the sole, exclusive and copyright property of Promat and its legal partner companies.

Official website

www.promat-ap.com

Your local Promat supplier

(Place sticker here)