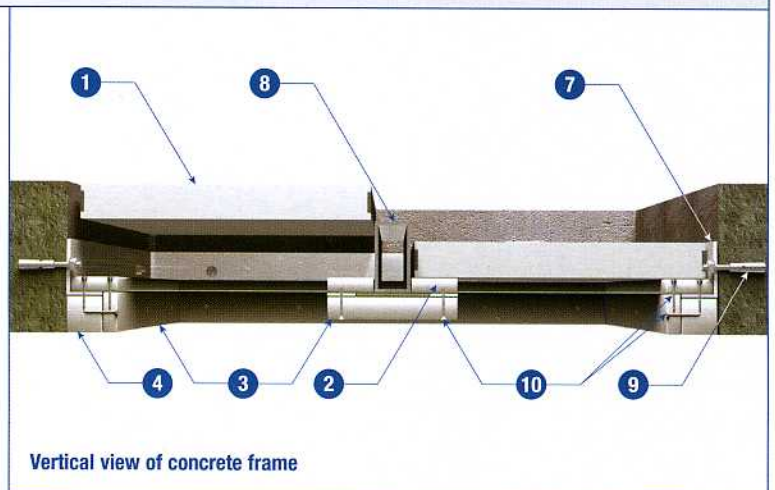


TECHNICAL DATA

- | | |
|--|---|
| <ul style="list-style-type: none"> 1 For FRL of 180/180/180
1 layer of PROMATECT® board, 50mm thick, panel size manufactured to order up to a maximum of 1295mm x 725mm. 2 1 layer of PROMATECT® board 20mm thick 3 1 layer of PROMATECT® board 30mm thick 4 1 layer of PROMATECT® board 50mm thick 5 Lifting handle 6 1 layer of PROMASEAL® Intumescent Strip 30mm wide x 2mm thick | <ul style="list-style-type: none"> 7 Steel angle 30mm x 30mm x 1.5mm thick 8 Rectangular hollow section 100mm x 50mm x 5mm thick, welded with steel plate 100mm x 5mm thick to the underside. (see detail below) 9 M8 anchor bolts 40mm in length at nominal 300mm centres 10 45mm self-tapping screw at nominal 300mm centres 11 General building services, e.g. cables, pipes etc. 12 Masonry or concrete supporting construction |
|--|---|

8



Vertical view of concrete frame



Architectural Specification

The Promat panels described herein are designed as removable covers to cable trenches etc. The design incorporates light steel framing and drop-in panels to provide up to 180 minutes fire resistance.

The panels are custom made to match the individual dimensional requirements of the project. Panels can be constructed either on site or prefabricated for ease of installation. However, please note that maximum panel size is up to 1295mm x 725mm. When panels are used in apertures not more than 2640mm x 3060mm, it is recommended the light steel framing be incorporated and protected accordingly.

The panels are fabricated from lightweight PROMATECT® boards. The complete system is therefore relatively low in weight and can be removed and replaced without the need of special equipment.

If the covering to the trench is to be loadbearing or to withstand light foot traffic, the panels can be bonded to steel plates. The thickness of the plates is determined by panel dimensions and the load bearing requirement of the system.

Following are standard Architectural Specifications for floor pit cover assemblies using PROMATECT®. The designer must determine the suitability of the design to the application and requirements before undertaking or constructing any works related to the specifications. If in doubt, the advice of a qualified engineer should first be obtained.

Area of Application

Trenches in concrete floor slab where E&M services are laid.

Fire Attack From Above & Below

180 minutes fire rating, integrity and insulation in accordance with the criteria of [AS1530: Part 4: 2005](#).

Type of Construction

The panel is installed mainly as a non loadbearing element. Where loadbearing is required, steel plates of predetermined thickness may be bonded to the panel as reinforcement.

Type of Fixing

These removable panels are fixed by simply dropping on to the preinstalled supporting light steel framing. No screws are required for the pit cover.

Supporting Structure

Care should be taken to ensure that any structural element to which access panels/hatches are fixed has a fire resistance of at least 180 minutes and is capable of supporting the installed system for the required period.

Available Sizes

The panels are manufactured to order up to maximum size of 1295mm x 725mm. Size of aperture to install is limited up to maximum 2640mm x 3060mm.

NOTE: All above specifications are correct at the time of printing of this handbook. Should there be any doubt, please consult Promat Technical Department.